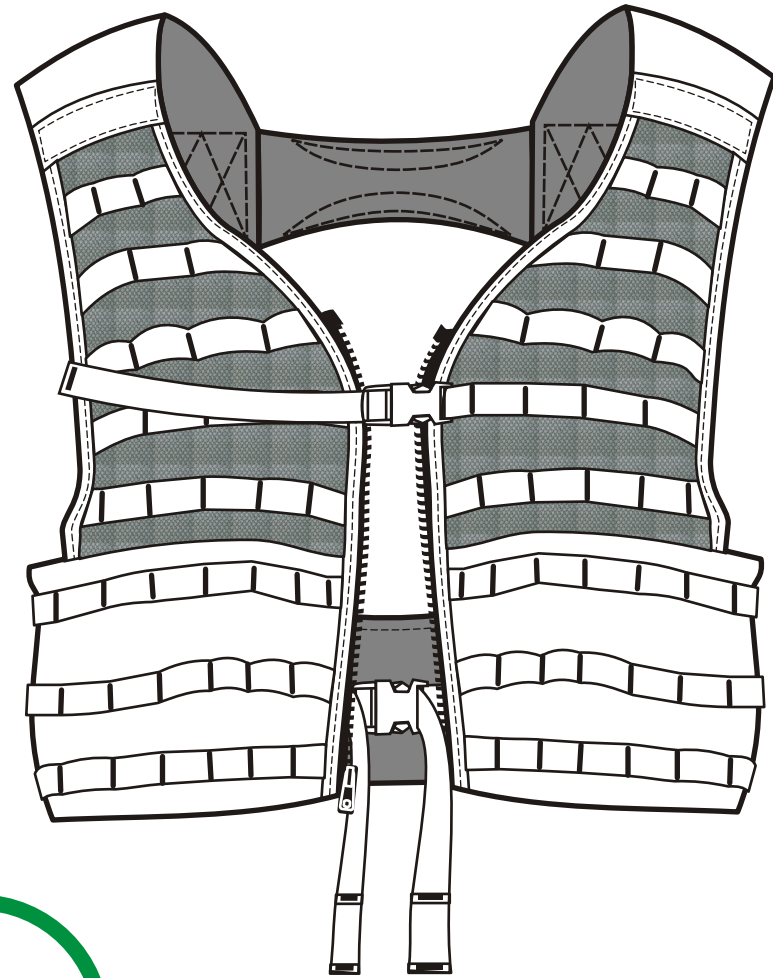




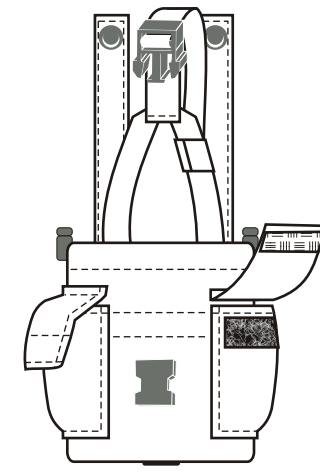
Modular Lightweight Load Carrying Equipment

Fighting Load Carrier Set (FLC Set), NSN 8465-01-525-0575

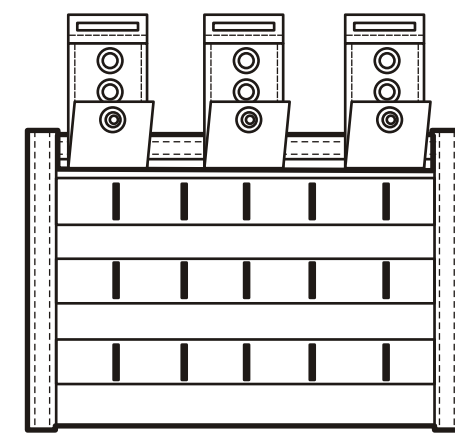
Fighting Load Carrier (FLC)
1ea, NSN 8465-01-525-0577



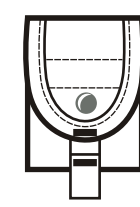
Canteen/General Purpose Pouch, 2 ea
NSN 8465-01-525-0585



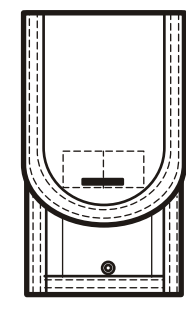
M4, 3 Magazine Side x Side Pouch, 2 ea
NSN 8465-01-525-0598



Hand Grenade Pouch, 2ea
NSN 8465-01-525-0589



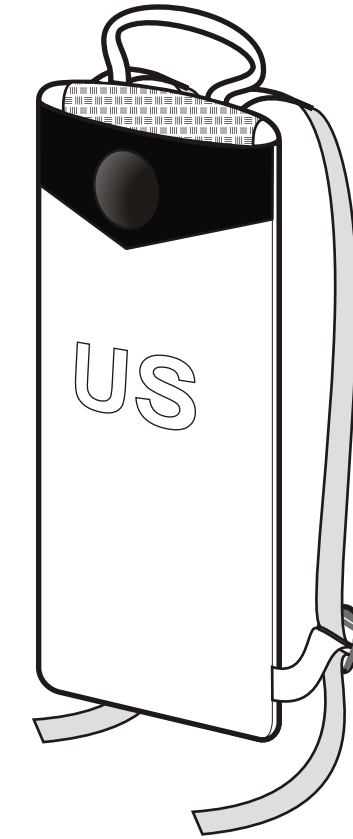
Pocket, Magazine, M-4, Double, 3 ea
NSN 8465-01-525-0606



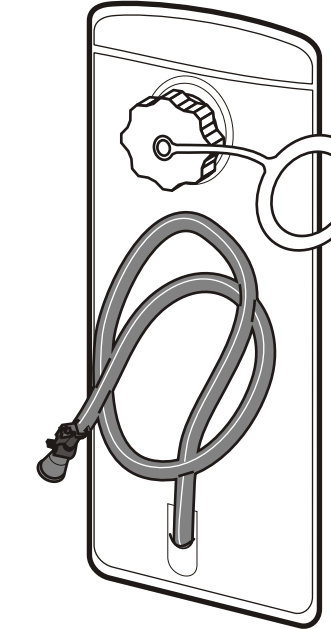
AND

Hydration System (Storm) NSN 8465-01-524-8396

Carrier Hydration Sys (Storm), 1 ea
NSN 8465-01-524-5232



Hydration Bladder (100 Oz Storm), 1 ea
NSN 8465-01-465-2096

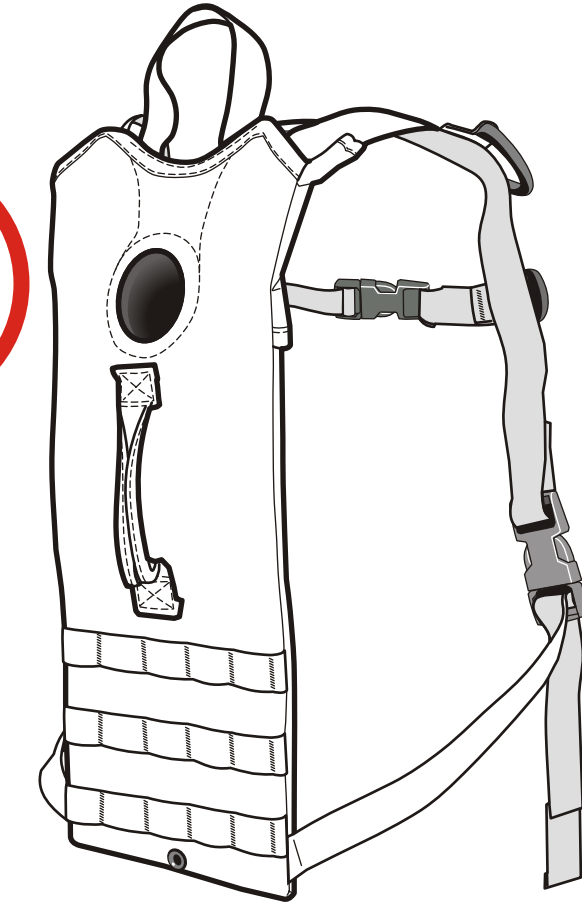


Hydrolink Conversion Kit, Hydration System, 1 ea
NSN 8465-01-4499-9948

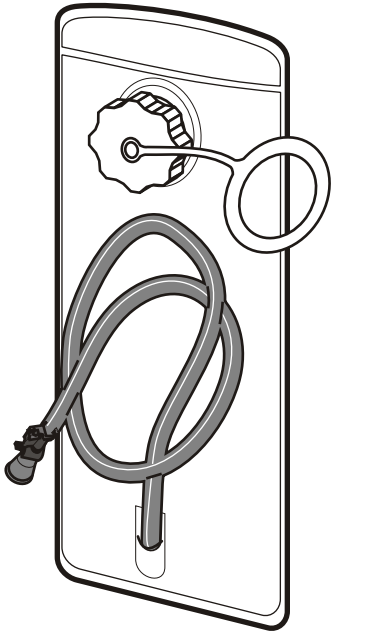
Big Bite Valve, Hydration System, 1ea
NSN 8465-01-472-5106

Hydration System (New) NSN 8465-01-525-5531

Carrier Hydration Sys (New), 1 ea
NSN 8465-01-524-8362



Hydration Bladder (100 Oz New), 1ea
NSN 8465-01-519-2304



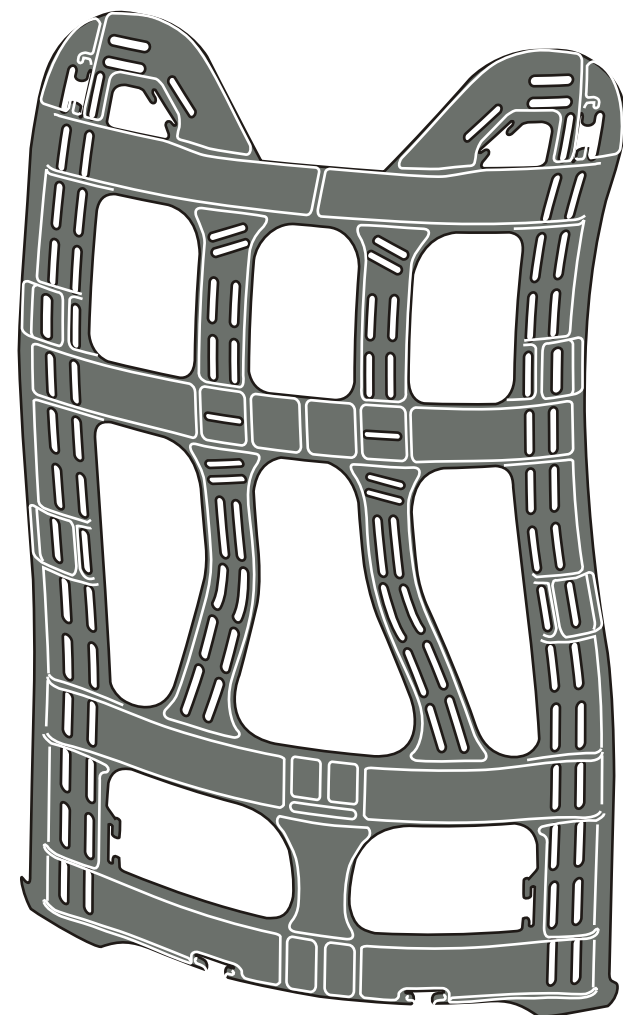
Drink Tube, Hydration System, 1 ea
NSN 8465-01-519-2385

Bite Valve, Hydration System, 1 ea
NSN 8465-01-519-2383

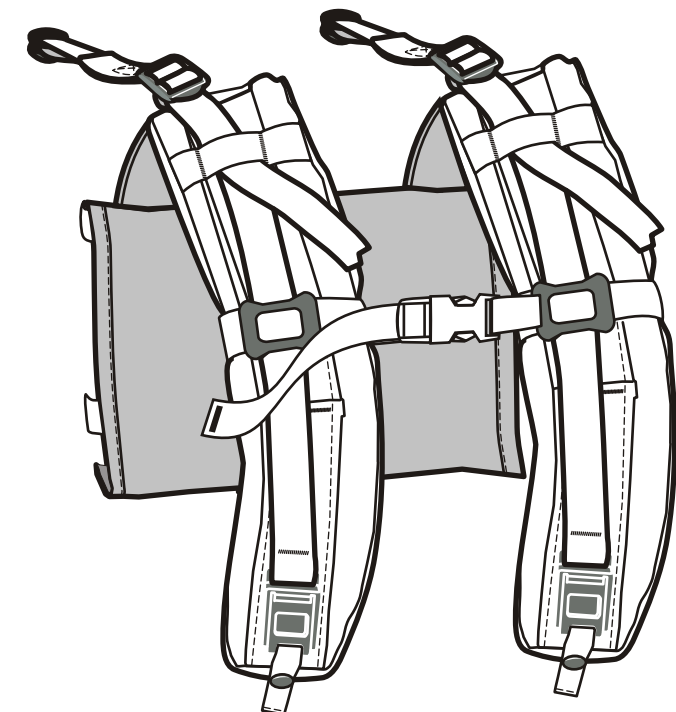
OR

AND

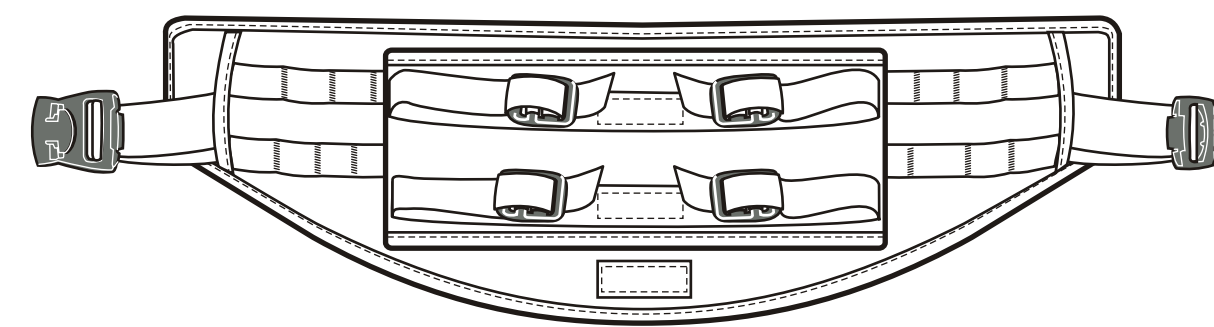
Large Pack Field Set (with Frame and Straps), NSN 8465-01-523-6276



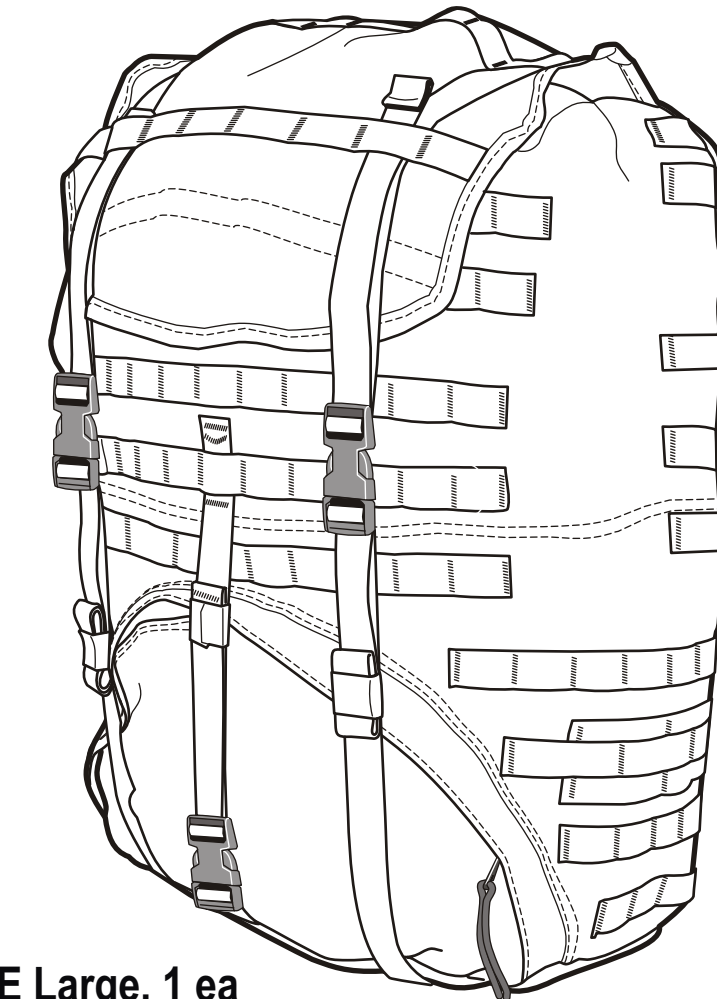
MOLLE Pack Frame, 1 ea
NSN 8465-01-524-8368



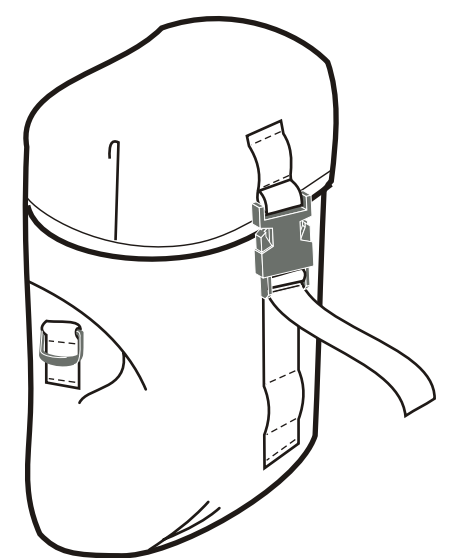
MOLLE Enhanced Frame Shoulder Strap, 1 ea
NSN 8465-01-524-7240



Molded Waistbelt (frame), 1 ea
NSN 8465-01-524-7232



MOLLE Large, 1 ea
NSN 8465-01-524-5285

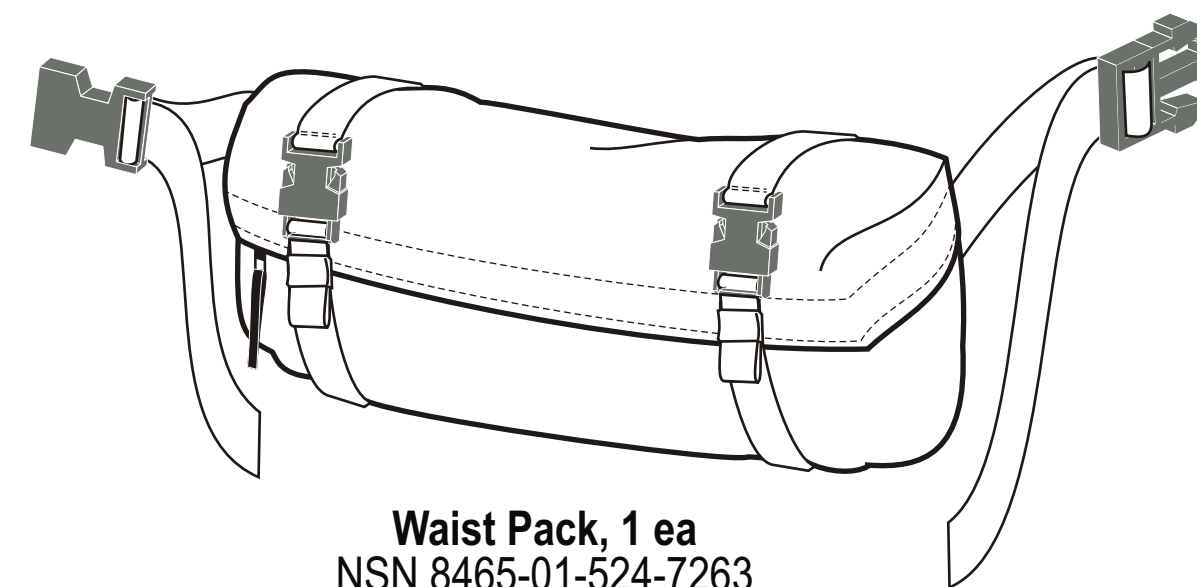


Sustainment Pouch, 2 ea
NSN 8465-01-524-7226

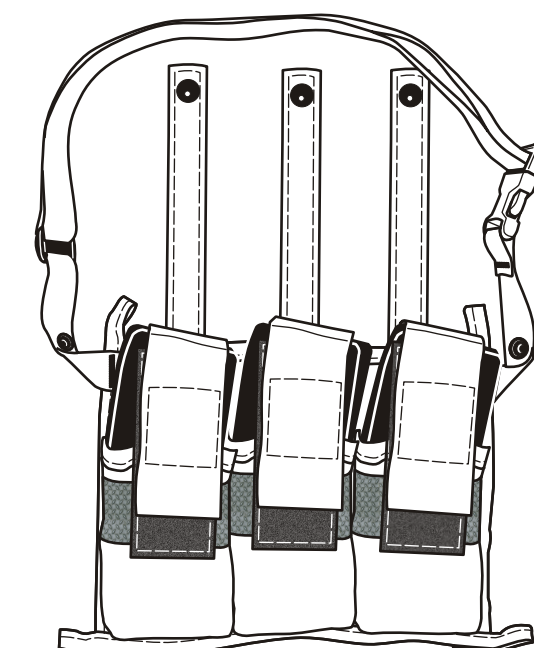
AND



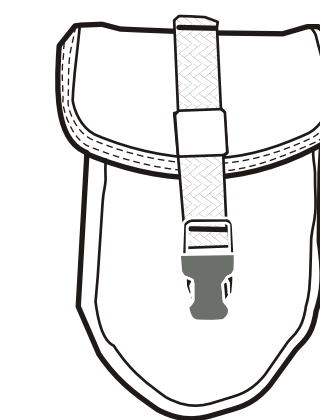
Assault Pack, 1 ea
NSN 8465-01-524-5250



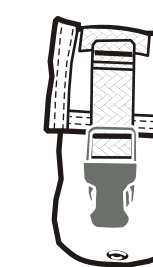
Waist Pack, 1 ea
NSN 8465-01-524-7263



Bandoleer Ammunition Pouches (6 Mag), 1 ea
NSN 8465-01-524-7309



Carrier, Entrenching Tool, 1 ea
NSN 8465-01-524-8407



Pouch, Flashbang, Single, 1 ea
NSN 8465-01-524-7324

NOTE:
NSNs listed above are
Universal Camouflage